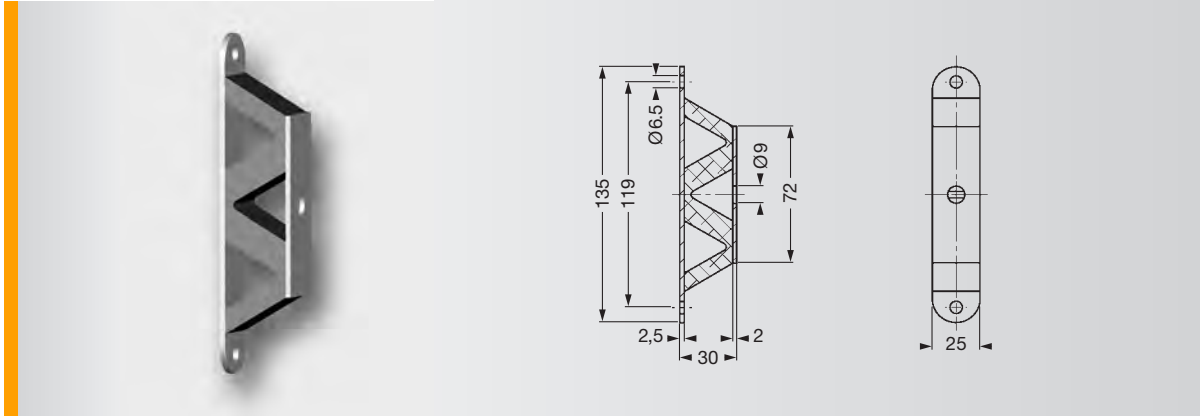


# SCHWINGMETALL® Special Mounts



## Shear Mounts 24332

Mould No.	Part No.	Spring Stiffness			Max. Loads			Mass [kg]	Elastomer Hardness [Shore A]
		C <sub>x</sub> [N/mm]	C <sub>y</sub> [N/mm]	C <sub>z</sub> [N/mm]	F <sub>x</sub> [N]	F <sub>y</sub> [N]	F <sub>z</sub> [N]		
24332	3946406000	73	20	20	180	100	200	0.127	40
24332	3946206000	140	37	37	350	185	250	0.127	55
24332	3946106000	215	57	57	500	200	280	0.127	65