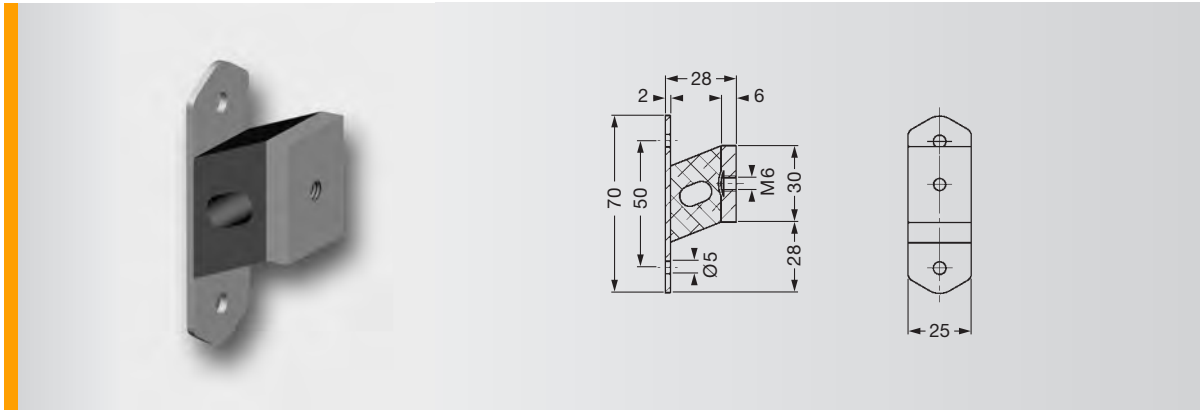


SCHWINGMETALL® Special Mounts



Shear Mounts 25284

Mould No.	Part No.	Spring Stiffness			Max. Loads			Mass [kg]	Elastomer Hardness [Shore A]
		C_x [N/mm]	C_y [N/mm]	C_z [N/mm]	F_x [N]	F_y [N]	F_z [N]		
25284	3946401000	54	9	9	125	45	90	0.072	40
25284	3946201000	104	16	16	250	75	150	0.072	55
25284	3946101000	160	25	25	360	100	200	0.072	65