

MEGI® U-V-W-Shaped Elements

Megi-W bearing

Part No. 786 001

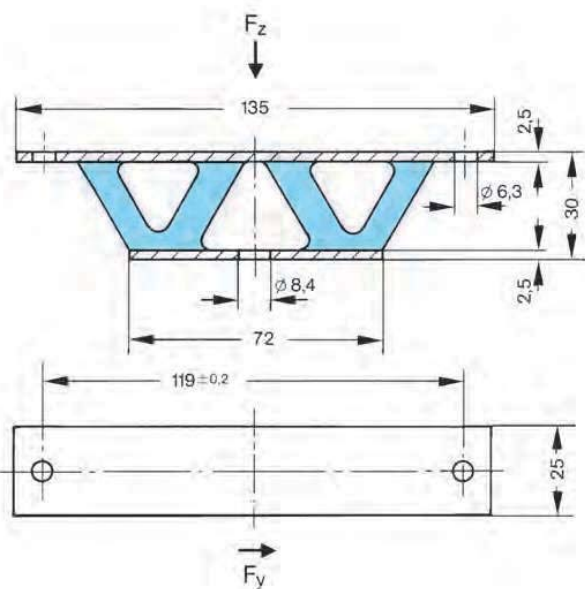
Versions:

hard, medium, soft

Megi-W bearings have a variety of applications as mounts for sensitive instruments, etc., which require protection against shock. They can be loaded in the compression direction (at right angles to the metal plate) as well as in the shear direction (parallel to metal plates).

Maximum permissible loads:

Under continuous static load, the spring deflection should generally not be greater than 3.5 mm in the compression direction and not more than 5 mm in the shearing direction. The loads corresponding to these deflections are given in the spring curves.



Other dimensions and materials are available on request

