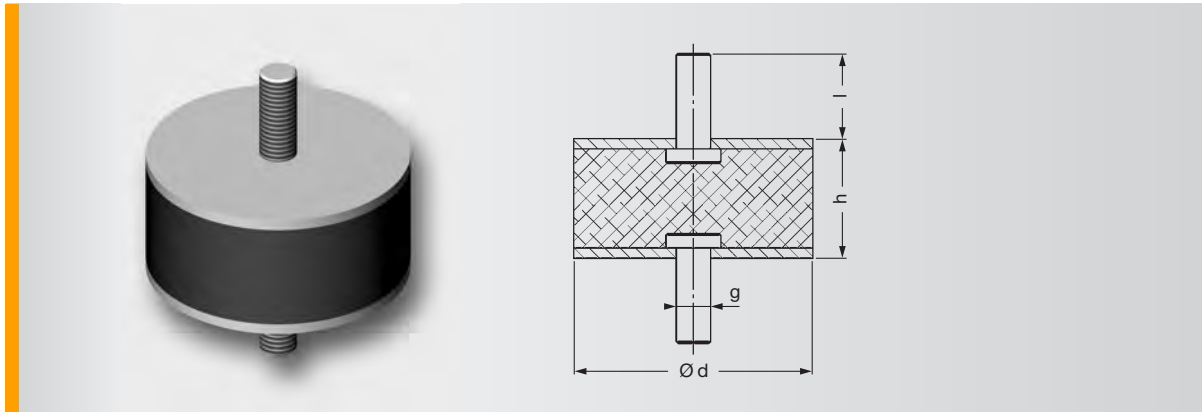
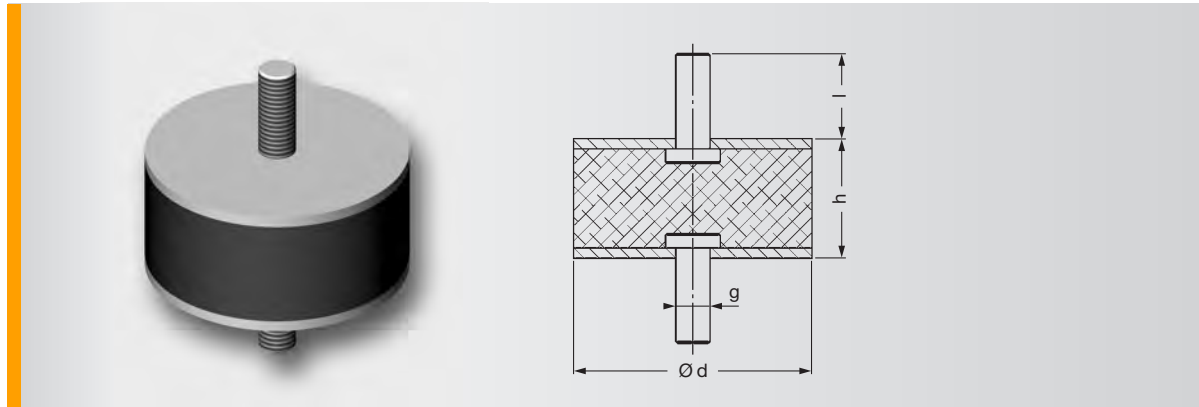


SCHWINGMETALL® Compression Mounts


Compression Mounts A Type 21682/A - 20292/A

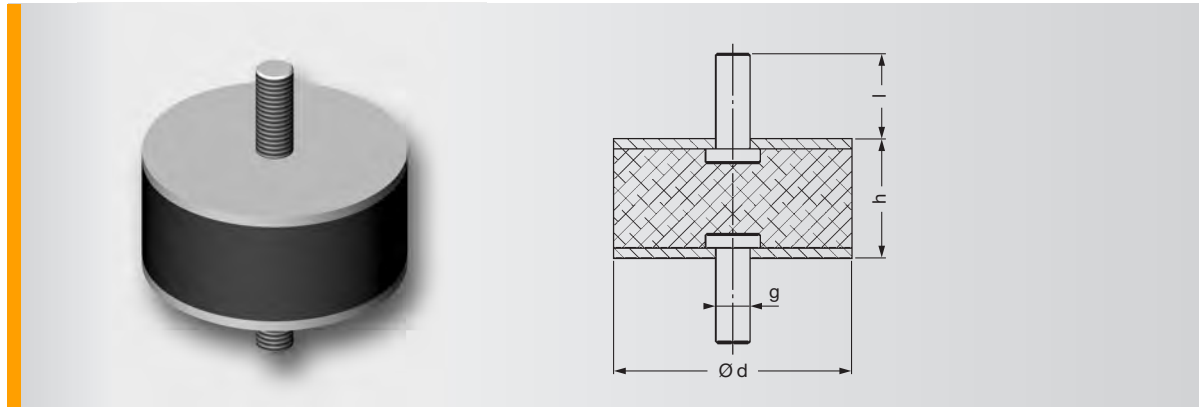
Mould No.	Part No.	Dimensions				Spring Stiffness			Max. Loads			Mass [kg]	Elastomer Hardness [Shore A]
		d [mm]	h [mm]	l [mm]	g	C _x [N/mm]	C _y [N/mm]	C _z [N/mm]	F _x [N]	F _y [N]	F _z [N]		
21682/A	3911403000	15	8	10	M4	11	11	92	35	35	90	0.006	40
21682/A	3911203000	15	8	10	M4	19	19	170	40	40	125	0.006	55
21682/A	3911103000	15	8	10	M4	29	29	262	43	43	160	0.006	65
25326/A	3911404000	15	15	13	M4	5	5	32	35	35	90	0.008	40
25326/A	3911204000	15	15	13	M4	9	9	62	40	40	125	0.008	55
25326/A	3911104000	15	15	13	M4	14	14	97	43	43	160	0.008	65
25259/A	3911405000	15	30	16	M4	1	1	12	34	34	90	0.011	40
25259/A	3911205000	15	30	16	M4	3	3	23	36	36	100	0.011	55
25259/A	3911105000	15	30	16	M4	4	4	37	37	37	160	0.011	65
31658/A	3911406000	20	25	19	M6	5	5	27	60	60	150	0.022	40
31658/A	3911206000	20	25	19	M6	9	9	53	65	65	180	0.022	55
31658/A	3911106000	20	25	19	M6	13	13	84	70	70	225	0.022	65
25388/A	3911407000	25	10	18.5	M6	41	41	651	100	100	250	0.019	40
25388/A	3911207000	25	10	18.5	M6	77	77	1125	110	110	400	0.019	55
25388/A	3911107000	25	10	18.5	M6	120	120	1695	120	120	500	0.019	65
20292a/A	3911408000	25	15	18.5	M6	22	22	149	100	100	250	0.022	40
20292a/A	3911208000	25	15	18.5	M6	41	41	274	110	110	400	0.022	55
20292a/A	3911108000	25	15	18.5	M6	64	64	423	120	120	420	0.022	65
20292/A	3911410000	25	20	18.5	M6	13	13	65	100	100	250	0.025	40
20292/A	3911210000	25	20	18.5	M6	24	24	126	110	110	350	0.025	55
20292/A	3911110000	25	20	18.5	M6	37	37	198	120	120	370	0.025	65

SCHWINGMETALL® Compression Mounts


Compression Mounts A Type 21239/A - 27797/A

Mould No.	Part No.	Dimensions				Spring Stiffness			Max. Loads			Mass [kg]	Elastomer Hardness [Shore A]
		d [mm]	h [mm]	l [mm]	g	C _x [N/mm]	C _y [N/mm]	C _z [N/mm]	F _x [N]	F _y [N]	F _z [N]		
21239/A	3911411000	25	30	18.5	M6	7	7	37	100	100	250	0.029	40
21239/A	3911211000	25	30	18.5	M6	13	13	72	110	110	300	0.029	55
21239/A	3911111000	25	30	18.5	M6	20	20	113	120	120	400	0.029	65
25356/A	3911412000	30	20	20.5	M8	20	20	112	150	150	350	0.047	40
25356/A	3911212000	30	20	20.5	M8	36	36	213	160	160	550	0.047	55
25356/A	3911112000	30	20	20.5	M8	56	56	331	170	170	650	0.047	65
31660/A	3911413000	30	30	20.5	M8	10	10	58	150	150	350	0.054	40
31660/A	3911213000	30	30	20.5	M8	17	17	112	160	160	400	0.054	55
31660/A	3911113000	30	30	20.5	M8	26	26	176	170	170	600	0.054	65
20291/A	3911414000	40	30	24.5	M8	19	19	109	250	250	630	0.092	40
20291/A	3911214000	40	30	24.5	M8	35	35	211	260	260	850	0.092	55
20291/A	3911114000	40	30	24.5	M8	54	54	330	270	270	1050	0.092	65
27796/A	3911431000	40	40	24.5	M8	12	12	69	250	250	600	0.104	40
27796/A	3911231000	40	40	24.5	M8	21	21	135	260	260	730	0.104	55
27796/A	3911131000	40	40	24.5	M8	32	32	214	270	270	890	0.104	65
25332/A	3911417000	50	20	28	M10	60	60	467	400	400	1000	0.140	40
25332/A	3911217000	50	20	28	M10	110	110	858	420	420	1450	0.140	55
25332/A	3911117000	50	20	28	M10	170	170	1321	440	440	2300	0.140	65
25333/A	3911418000	50	30	34	M10	34	34	177	400	400	950	0.165	40
25333/A	3911218000	50	30	34	M10	62	62	343	420	420	1400	0.165	55
25333/A	3911118000	50	30	34	M10	95	95	539	440	440	2000	0.165	65
27797/A	3911419000	50	45	34	M10	20	20	104	392	392	950	0.200	40
27797/A	3911219000	50	45	34	M10	35	35	204	410	410	1300	0.200	55
27797/A	3911119000	50	45	34	M10	54	54	322	430	430	1800	0.200	65

SCHWINGMETALL® Compression Mounts



Compression Mounts A Type 20290a/A - 25328/A

Mould No.	Part No.	Dimensions				Spring Stiffness			Max. Loads			Mass [kg]	Elastomer Hardness [Shore A]
		d [mm]	h [mm]	l [mm]	g	C _x [N/mm]	C _y [N/mm]	C _z [N/mm]	F _x [N]	F _y [N]	F _z [N]		
20290a/A	3911441000	70	35	25	M10	69	69	423	750	750	1950	0.340	40
20290a/A	3911241000	70	35	25	M10	127	127	793	790	790	2750	0.340	55
20290a/A	3911141000	70	35	25	M10	198	198	1231	830	830	3750	0.340	65
20290/A	3911420000	70	45	25	M10	47	47	265	750	750	1900	0.382	40
20290/A	3911220000	70	45	25	M10	86	86	507	790	790	2650	0.382	55
20290/A	3911120000	70	45	25	M10	133	133	793	830	830	3600	0.382	65
20290b/A	3911442000	70	60	25	M10	31	31	162	750	750	1900	0.445	40
20290b/A	3911242000	70	60	25	M10	56	56	315	790	790	2600	0.445	55
20290b/A	3911142000	70	60	25	M10	86	86	497	830	830	3500	0.445	65
25327/A	3911421000	75	40	37	M12	62	62	400	900	900	2200	0.445	40
25327/A	3911221000	75	40	37	M12	112	112	751	1000	1000	3500	0.445	55
25327/A	3911121000	75	40	37	M12	173	173	1166	1050	1050	4500	0.445	65
25336/A	3911422000	75	55	37	M12	39	39	214	900	900	2200	0.518	40
25336/A	3911222000	75	55	37	M12	70	70	412	1000	1000	2950	0.518	55
25336/A	3911122000	75	55	37	M12	108	108	647	1050	1050	4050	0.518	65
25334/A	3911424000	100	40	43	M16	130	130	1087	1500	1500	5200	0.910	40
25334/A	3911224000	100	40	43	M16	241	241	1972	1600	1600	7500	0.910	55
25334/A	3911124000	100	40	43	M16	375	375	3021	1700	1700	10500	0.910	65
25335/A	3911425000	100	55	43	M16	73	73	438	1500	1500	4500	1.080	40
25335/A	3911225000	100	55	43	M16	132	132	838	1600	1600	6200	1.080	55
25335/A	3911125000	100	55	43	M16	204	204	1311	1700	1700	8300	1.080	65
25328/A	3911446000	100	75	43	M16	53	53	279	1500	1500	4000	1.253	40
25328/A	3911246000	100	75	43	M16	96	96	540	1600	1600	5800	1.253	55
25328/A	3911146000	100	75	43	M16	149	149	848	1700	1700	7500	1.253	65